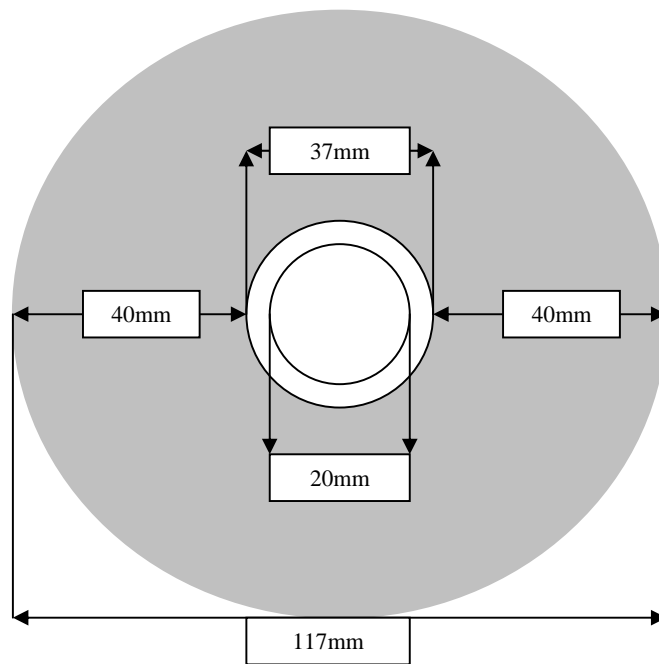


CD Label Printing Options



CPC is able to process files made using the following programmes:

Macintosh

High Res PDF
Quark Express
Adobe Illustrator
Adobe Photoshop
Adobe Acrobat

Windows

High Res PDF